



KT-ALED290PS-L2-OSB-SF-8CSB-VDIM-P

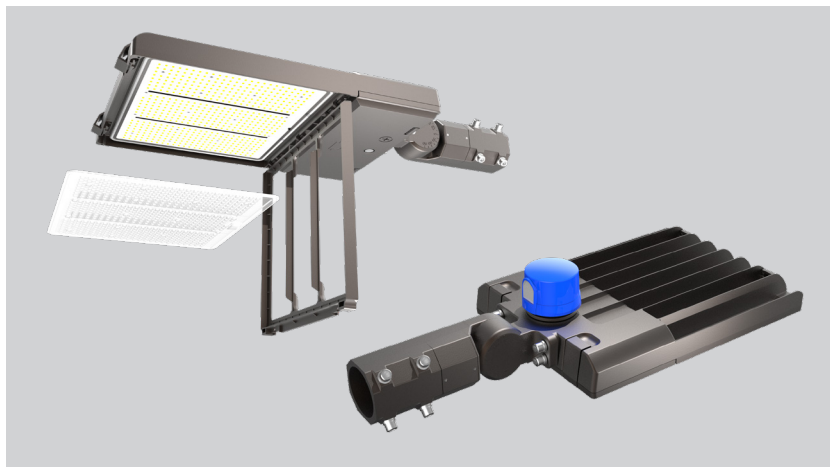
SLIPFITTER-MOUNT LED AREA LIGHT PREMIUM PACKAGE

DESCRIPTION

290W Power and Color Select Optic Swap LED Area Light | 120-277V Input | Bronze Housing | Slip Fitter Mount Kit Included

APPLICATION

Pole-mount or structure-mount outdoor illumination needs (including parking lots, auto dealerships, pathways, roadways, recreational venues, and other general area lighting requirements)



PRODUCT FEATURES

- Keystone Power Select technology (290/210/185W)
- Keystone Color Select technology (3000/4000/5000K)
- Innovative optic swap capability under door frame and latch design for quick lens change
- Three lenses in the box: Type III installed, Types IV and V included
- Type II lens sold separately. See below for details
- Heavy duty die cast aluminum housing with ample heat sinking
- Low-profile design delivers high-performance illumination and improves application site aesthetics
- True U0 design for dark sky friendly performance that eliminates undesirable sky glow
- Integrated NEMA/ANSI C136.10 7-pin twist-lock receptacle with 3-pin photocell and shorting cap. Standard on all fixtures, simplifies ordering requirements for photo control needs
- Comes with a pre-installed slip fitter mount kit for easy and quick mounting to square or round poles
- Keystone 0-10V dimming driver
- Ambient operating temperature: $-40^{\circ}\text{C}/-40^{\circ}\text{F}$ to $50^{\circ}\text{C}/122^{\circ}\text{F}$
- UL Certified, IP65 rated
- Power factor: > 0.95
- THD: $< 20\%$
- LED chip lifetime: $L70 > 100,000$ hrs @ $25^{\circ}\text{C}/77^{\circ}\text{F}$ ambient fixture temperature
- Meets FCC Part 15, Part B, Class A standards for conducted and radiated emissions

PRODUCT SPECIFICATIONS

Catalog No.	Wattage	CCT	Lumens	Efficacy	Input Voltage	Dimming	CRI	Distribution Pattern	Photocell Included	Housing Color	Legacy Equivalent
KT-ALED290PS-L2-OSB-SF-8CSB-VDIM-P	290	3000K	36320	125 lm/W	120-277V	0-10V	> 80	Type III Installed, Types IV and V Included	Yes	Bronze	1000W MH
		4000K	42770	147 lm/W							
		5000K	38700	133 lm/W							
	210	3000K	27300	130 lm/W							
		4000K	31710	151 lm/W							
		5000K	28980	138 lm/W							
	185	3000K	22970	124 lm/W							
		4000K	27060	146 lm/W							
		5000K	24440	132 lm/W							

* For more information, see Accessories page below or contact Keystone with questions. Please see catalog number breakdown for full ordering code details.

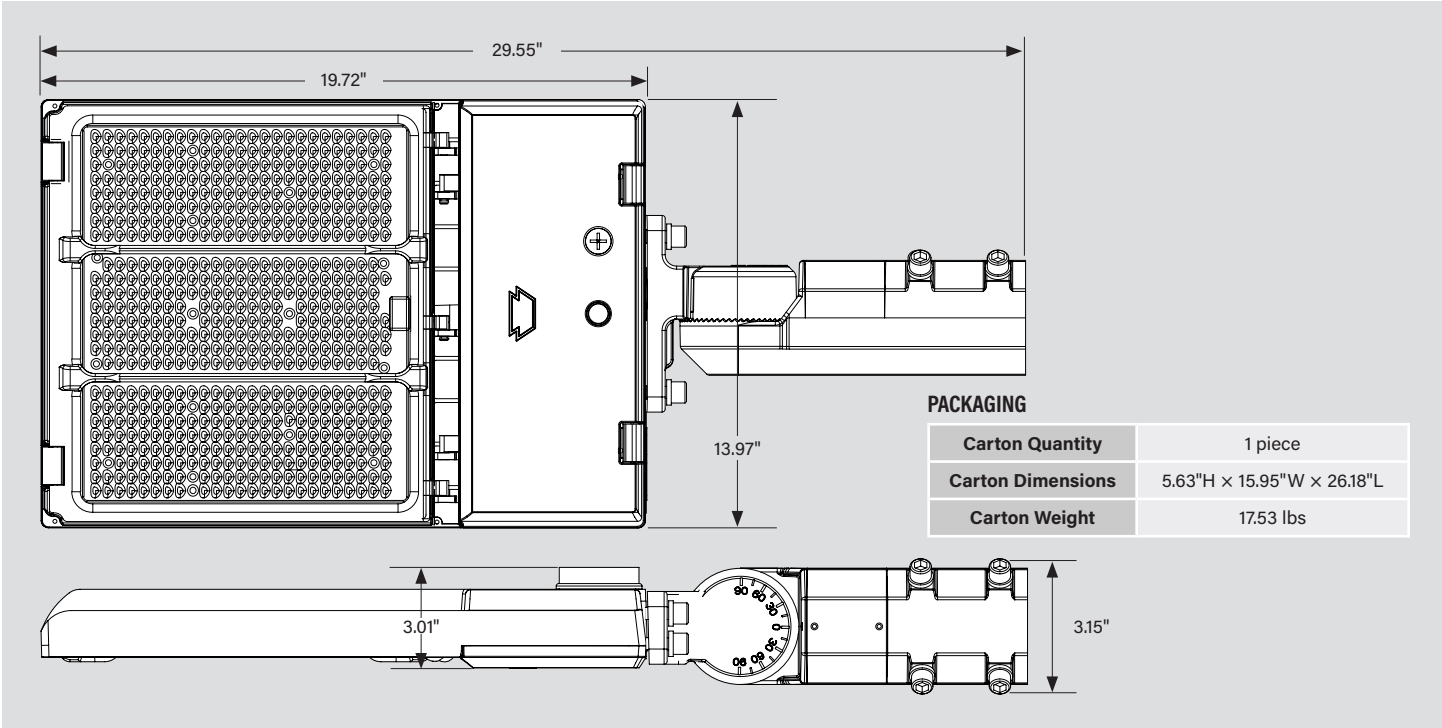
**Fixtures (and mounts) with alternate housing colors are available and made to order. Extended lead times apply. Please see catalog number breakdown for full ordering code details.

KT-ALED290PS-L2-OSB-SF-8CSB-VDIM-P

SLIPFITTER-MOUNT LED AREA LIGHT PREMIUM PACKAGE

PHYSICAL SPECIFICATIONS

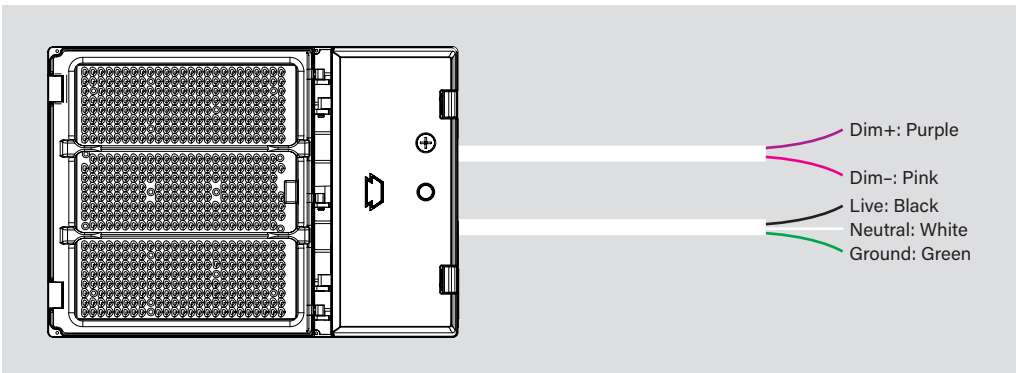
SLIPFITTER-MOUNT LED AREA LIGHT FIXTURE



PACKAGING

Carton Quantity	1 piece
Carton Dimensions	5.63"H x 15.95"W x 26.18"L
Carton Weight	17.53 lbs

WIRING DIAGRAM



- This fixture comes pre-wired with a 7-pin twist-lock receptacle with shorting cap. Make input connections as needed and ensure connections are protected from exposure to the elements.
- Input voltage rating: 120–277V
- Ensure that input voltage on site matches the fixture you intend to install.



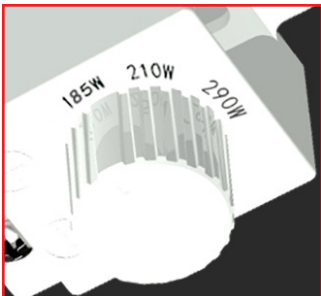
KT-ALED290PS-L2-OSB-SF-8CSB-VDIM-P

SLIPFITTER-MOUNT LED AREA LIGHT PREMIUM PACKAGE

POWER SELECT (WATTAGE) AND COLOR SELECT (CCT) ADJUSTMENT

This fixture is equipped with field-adjustable Keystone Power Select and Color Select technology.

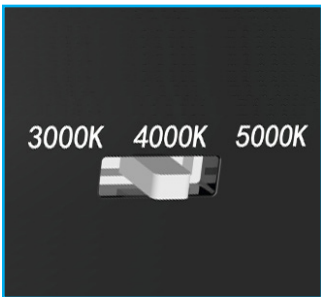
1. Ensure power is off to the fixture.
2. Open the driver compartment located on the underside of the fixture.
2. Adjust switches to desired settings.



POWER SELECT ADJUSTMENT DIAL

Set switch to adjust wattage between 290W, 210W, and 185W.

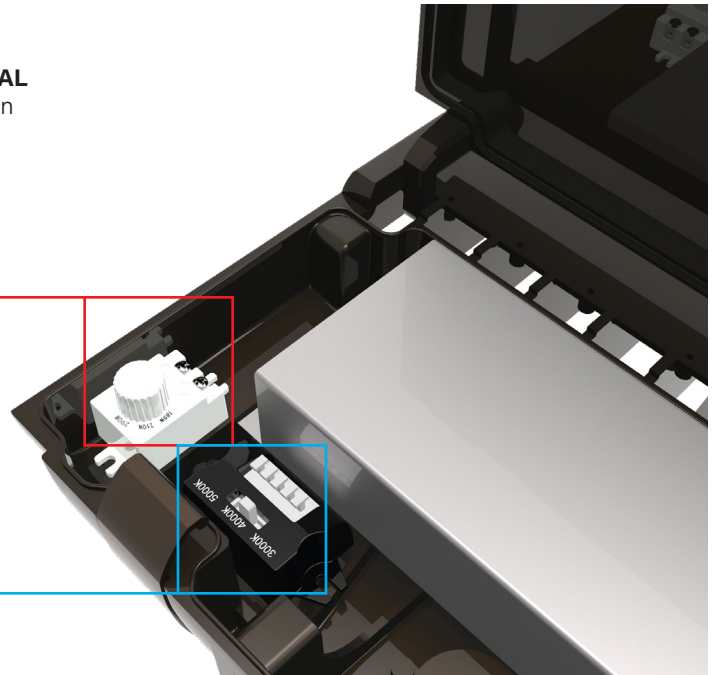
Fixture comes preset at 290W.



COLOR SELECT ADJUSTMENT SWITCH

Set switch to adjust CCT between 3000K, 4000K, and 5000K.

Fixture comes preset at 5000K.



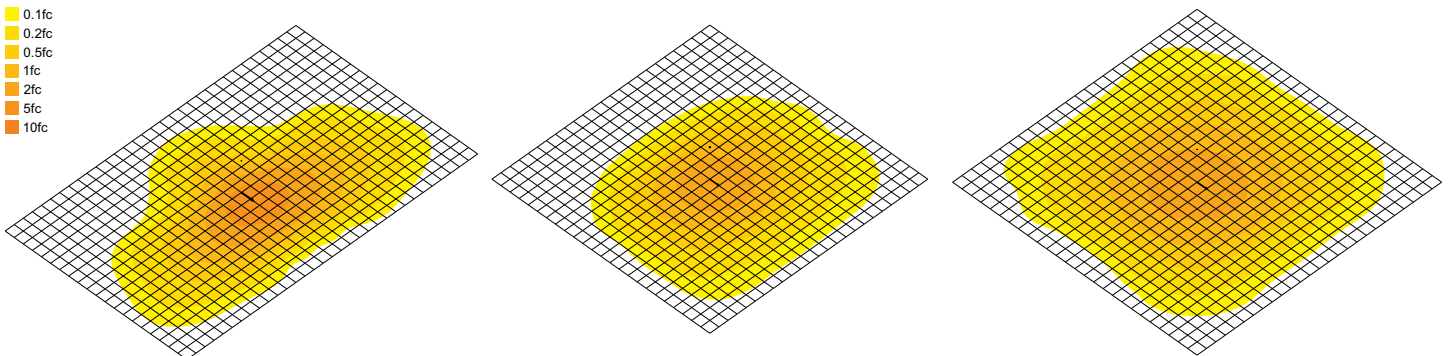
LIGHT DISTRIBUTION PATTERN

Photometric layouts for general reference only. All fixtures are pole mounted at 35ft. Each square is 10 ft x 10 ft

TYPE III (3)

TYPE IV (4)

TYPE V (5)



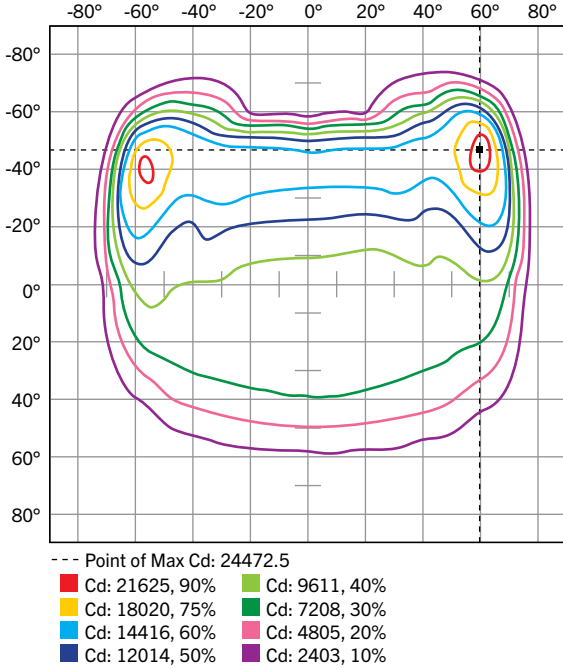


KT-ALED290PS-L2-OSB-SF-8CSB-VDIM-P

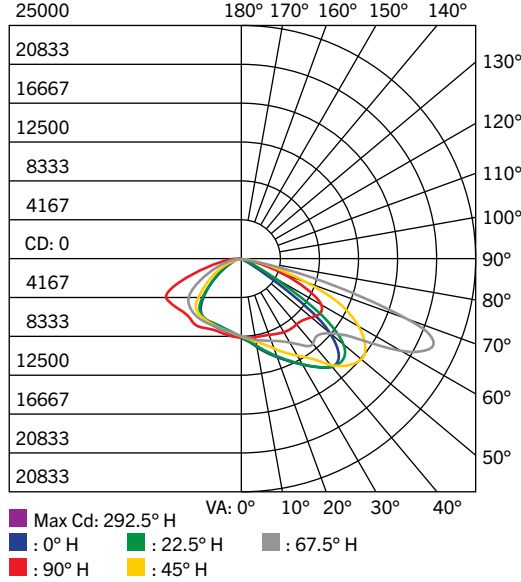
SLIPFITTER-MOUNT LED AREA LIGHT PREMIUM PACKAGE

PHOTOMETRIC SPECIFICATIONS (TYPE II [2])

ISOCANDELA PLOT



POLAR CANDELA DISTRIBUTION

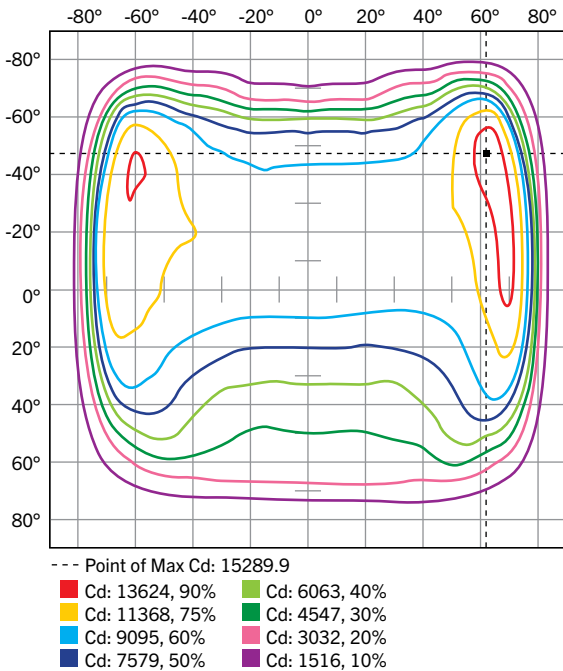


FLUX DISTRIBUTION

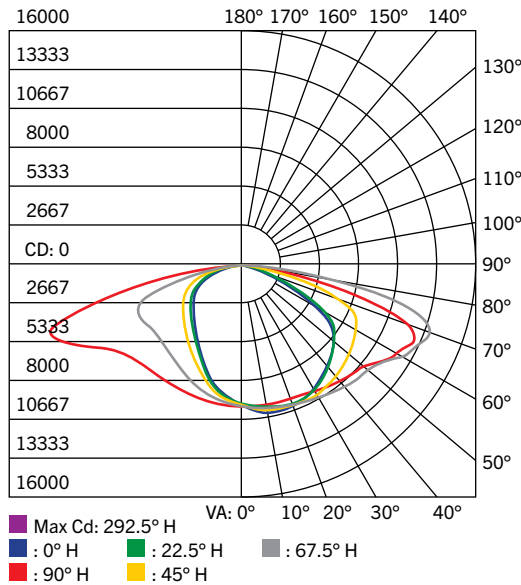
Zone	Lumens	% Luminaire
Forward Light		
0°-30°	4351.7	10.9%
30°-60°	14745.1	37.0%
60°-80°	7342.5	18.4%
80°-90°	181.0	0.5%
Back Light		
0°-30°	3433.4	8.6%
30°-60°	7633.2	19.2%
60°-80°	2037.6	5.1%
80°-90°	76.3	0.2%
Up Light		
90°-100°	0.0	0.0%
100°-180°	0.0	0.0%
Total	39800.8	100.0%
BUG Rating	B4-U0-G3	

PHOTOMETRIC SPECIFICATIONS (TYPE III [3])

ISOCANDELA PLOT



POLAR CANDELA DISTRIBUTION



FLUX DISTRIBUTION

Zone	Lumens	% Luminaire
Forward Light		
0°-30°	4375.3	11.0%
30°-60°	11377.5	38.6%
60°-80°	7372.5	18.6%
80°-90°	503.8	1.3%
Back Light		
0°-30°	3570.4	9.0%
30°-60°	7690.4	19.4%
60°-80°	4636.1	11.7%
80°-90°	200.5	0.5%
Up Light		
90°-100°	0.0	0.0%
100°-180°	0.0	0.0%
Total	39726.5	100.0%
BUG Rating	B4-U0-G4	

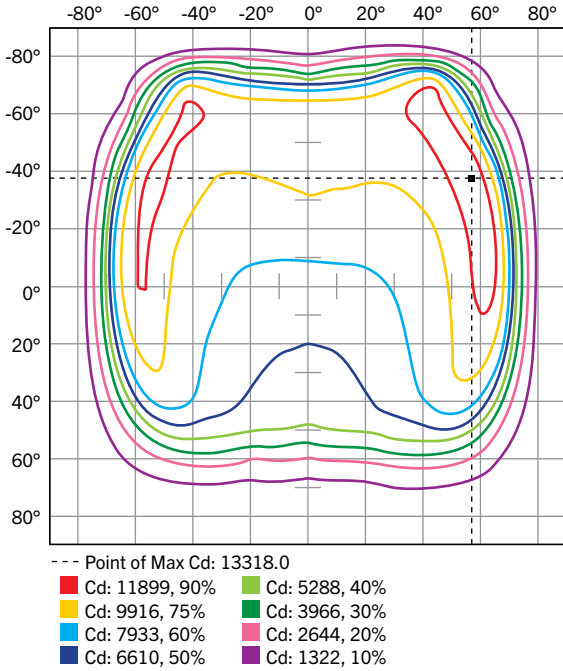


KT-ALED290PS-L2-OSB-SF-8CSB-VDIM-P

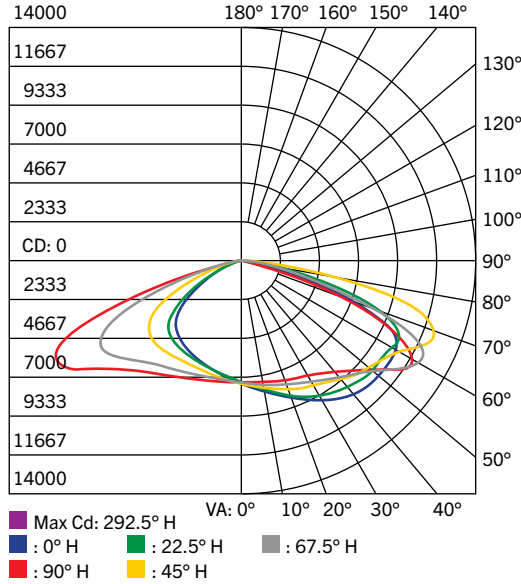
SLIPFITTER-MOUNT LED AREA LIGHT PREMIUM PACKAGE

PHOTOMETRIC SPECIFICATIONS (TYPE IV [4])

ISOCANDELA PLOT



POLAR CANDELA DISTRIBUTION

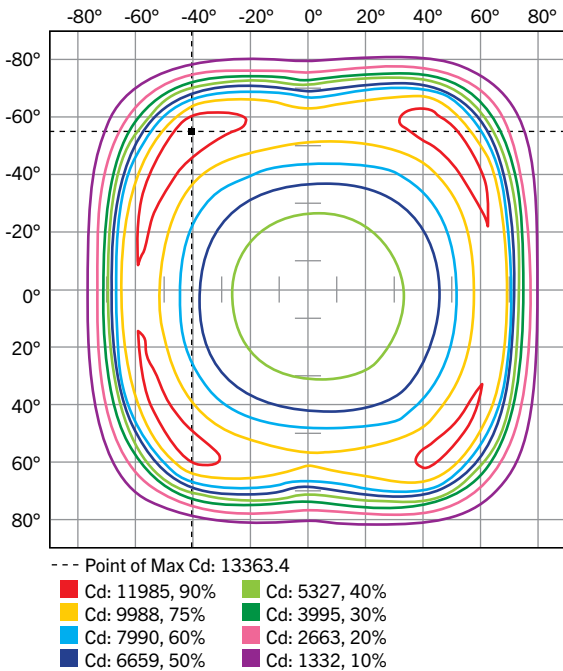


FLUX DISTRIBUTION

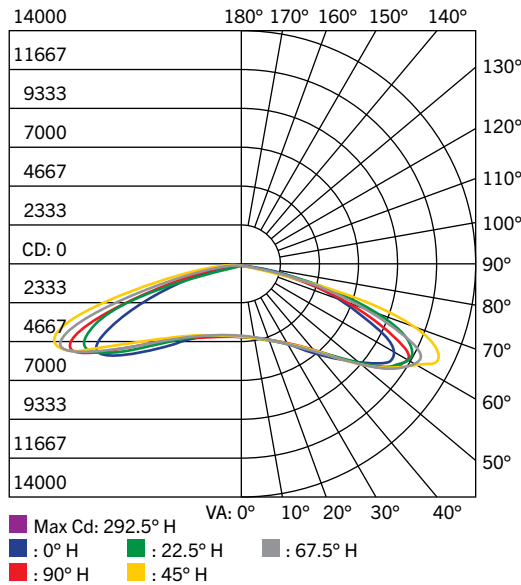
Zone	Lumens	% Luminaire
Forward Light		
0°-30°	3496.9	8.9%
30°-60°	11626.4	29.8%
60°-80°	8787.4	22.5%
80°-90°	518.0	1.3%
Back Light		
0°-30°	2971.1	7.6%
30°-60°	8241.1	21.1%
60°-80°	3333.1	8.5%
80°-90°	101.3	0.3%
Up Light		
90°-100°	0.0	0.0%
100°-180°	0.0	0.0%
Total	39075.3	100.0%
BUG Rating	B4-U0-G4	

PHOTOMETRIC SPECIFICATIONS (TYPE V [5])

ISOCANDELA PLOT



POLAR CANDELA DISTRIBUTION



FLUX DISTRIBUTION

Zone	Lumens	% Luminaire
Forward Light		
0°-30°	2080.9	5.3%
30°-60°	9547.3	24.1%
60°-80°	8307.2	21.0%
80°-90°	338.0	0.9%
Back Light		
0°-30°	2030.2	5.1%
30°-60°	8965.1	22.7%
60°-80°	7959.9	20.1%
80°-90°	313.0	0.8%
Up Light		
90°-100°	0.0	0.0%
100°-180°	0.0	0.0%
Total	39538.6	100.0%
BUG Rating	B5-U0-G4	



KT-ALED290PS-L2-OSB-SF-8CSB-VDIM-P

SLIPFITTER-MOUNT LED AREA LIGHT PREMIUM PACKAGE

EPA SPECIFICATIONS

LARGE-SIZE FIXTURE HOUSING

- Conditions: Horizontal winds only for calculations. Worst case total projected area used for calculations.
- All drag coefficients are set as worst case 1.2.
- For details on exact EPA calculations and assumptions, please contact productsupport@keystonetech.com

EPA Calcs (1.2*ft^2 | View)

Mounting Application	Fixture Position	Single Fixture	2 Fixtures at 90°	2 Fixtures at 180°	3 Fixtures at 90°	3 Fixtures at 120°	4 Fixtures at 90°	2 Fixtures Side-by-Side	3 Fixtures Side-by-Side	4 Fixtures Side-by-Side
Slip Fitter Mount 	Horizontal	0.60 sq. ft.	0.98 sq. ft.	1.20 sq. ft.	1.53 sq. ft.	1.57 sq. ft.	1.53 sq. ft.	0.86 sq. ft.	1.30 sq. ft.	1.73 sq. ft.
Slip Fitter Mount 	45°	1.92 sq. ft.	2.51 sq. ft.	1.92 sq. ft.	3.09 sq. ft.	4.39 sq. ft.	3.09 sq. ft.	3.84 sq. ft.	5.76 sq. ft.	7.68 sq. ft.
Slip Fitter Mount 	Vertical	2.59 sq. ft.	3.19 sq. ft.	2.59 sq. ft.	3.80 sq. ft.	4.07 sq. ft.	3.80 sq. ft.	5.18 sq. ft.	7.77 sq. ft.	10.35 sq. ft.



KT-ALED290PS-L2-OSB-SF-8CSB-VDIM-P

SLIPFITTER-MOUNT LED AREA LIGHT PREMIUM PACKAGE

ACCESSORIES (SOLD SEPARATELY)

SENSORS

Factory-Installable OR Field-Installable (field-installable purchased separately)

✓	SUFFIX*	CATALOG NUMBER	DESCRIPTION	UPC	EASY CODE
	/MW3	KTS-MW3-12V-PKO	12V Microwave Occupancy Sensor	843654130637	TRM-32
	/FC3	KTSL-FC3-12V-PKO-PIR	Bluetooth mesh wireless Smart Port LED controller for SmartLoop system with integrated daylight and PIR motion sensor.	843654138862	OCW-60
	/FC4	KTSL-FC4-12V-PKO	Bluetooth mesh wireless screw-in low voltage fixture controller for SmartLoop system	843654149066	RUN-10



* For factory installation of accessory, add suffix to fixture part number (see ordering examples and instructions on last page of spec sheet).

Field-Installable / Field-Use ONLY (purchased separately)

CATALOG NUMBER	DESCRIPTION	UPC	EASY CODE
KTS-MW3-REMOTECONTROL	Remote Control for KTS-MW3-12V-XX Sensors, Sets/adjusts all sensor performance parameters	843654132020	XSR-61



LENSES

Field-Installable / Field-Use ONLY (purchased separately)

CATALOG NUMBER	DESCRIPTION	UPC	EASY CODE
KT-ALED-LENS-L2-2CS-KIT	Type II Optics Lens for Color Select, Large Size Housing, Series 2 Area Lights	843654153858	HXC-12



* For factory installation of accessory, add suffix to fixture part number (see ordering examples and instructions on last page of spec sheet).



KT-ALED290PS-L2-OSB-SF-8CSB-VDIM-P

SLIPFITTER-MOUNT LED AREA LIGHT PREMIUM PACKAGE

ACCESSORIES CONTINUED (SOLD SEPARATELY)

MOUNTS AND BRACKETS

Field-Installable / Field-Use ONLY (purchased separately)

CATALOG NUMBER	DESCRIPTION	UPC	EASY CODE
KT-ALED-GS-L2-KIT	Reversible Glare Shield for Large Size Housing, Series 2 Area Lights, Bronze	843654153810	RDW-18



** For factory installation of accessory, add suffix to fixture part number (see ordering examples and instructions on last page of spec sheet).*

ORDERING INFORMATION

ORDER CODE	PACK QTY.	UPC	Easy Code	DLC PRODUCT ID
KT-ALED290PS-L2-OSB-SF-8CSB-VDIM-P	1	843654153148	IYG-25	S-L5UP18 S-WSZJLD

CATALOG NUMBER BREAKDOWN

KT-ALED290PS-L2-OSB-SF-8CSB-VDIM-P

- | | | | | | | | | | | | | | | |
|--------------------------------|-----------------------|-------------------------|----------------------|-----------------------|-----------------------|-------------------------------------|---------------------|---------------------------------|-----------------------------|------------------|------------------------|------------------------------------|-------------------------|-------------------------|
| 1 | 2 | 3 | 4 | 5 | 6 | 7 | 8 | 9 | 10 | 11 | 12 | 13 | 14 | 15 |
| 1 Keystone Technologies | 2 Fixture Type | 3 LED Technology | 4 Max Wattage | 5 Power Select | 6 Size / Shape | 7 Style / Design Designation | 8 Optic Swap | 9 Optic Swap Designation | 10 Slip Fitter Mount | 11 80 CRI | 12 Color Select | 13 Color Select Designation | 14 0-10V Dimming | 15 Stock Package |
-
- | | |
|------------------------------------|---|
| 9 Optic Swap Designation | B Type III lens installed, Type IV and V lens included |
| 13 Color Select Designation | B 3000/4000/5000K |

ORDERING EXAMPLES

FIXTURE WITH SINGLE FACTORY-INSTALLED ACCESSORY

KT-ALED290PS-L2-OSB-SF-8CSB-VDIM-P /FC3

FIXTURE WITH NO FACTORY-INSTALLED ACCESSORIES

KT-ALED290PS-L2-OSB-SF-8CSB-VDIM-P

KEYSTONE FIXTURE	
CATALOG NUMBER	
KT-ALED290PS-L2-OSB-SF-8CSB-VDIM-P	
SENSORS	
<input checked="" type="checkbox"/>	SUFFIX
<input checked="" type="checkbox"/>	/FC3
CATALOG NUMBER	
KTSL-FC3-12V-PKO-PIR	

** When ordering more than one factory-installed accessory, use multiple suffixes as shown in the ordering examples above.
Note: All accessories can also be ordered separately for field installation using just their regular Catalog Number, UPC, or Easy Code.*